



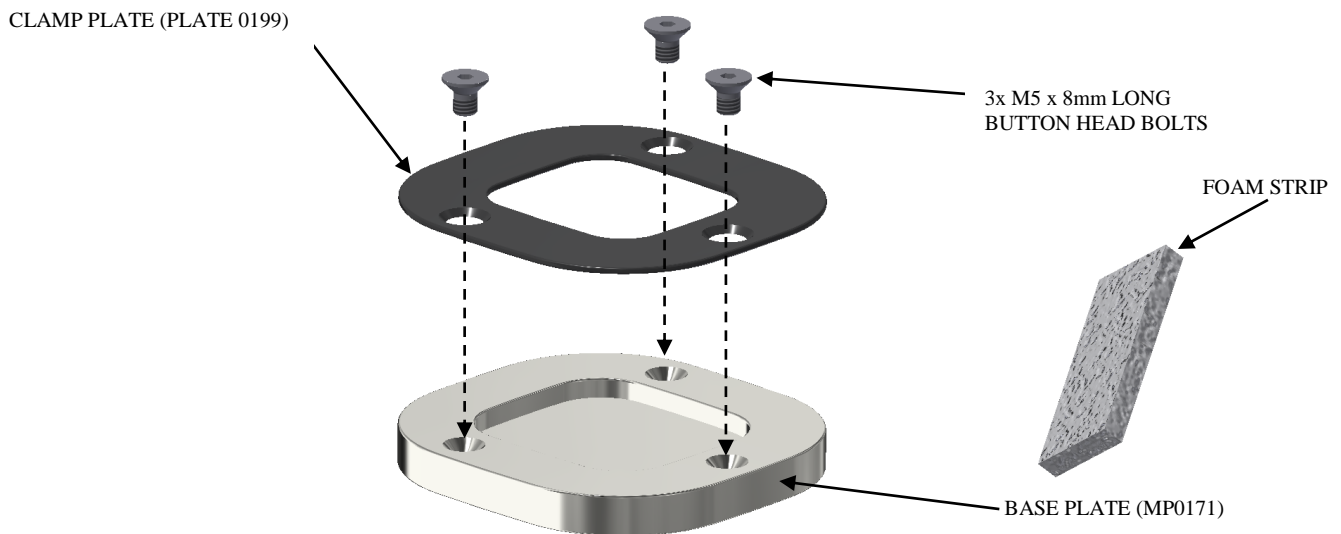
**FITTING INSTRUCTIONS FOR PKS0097SI KICKSTAND SHOE**  
**HONDA NC 750X 2016-**



**Please note that the way the kit is packed does not necessarily represent the way of mounting to the bike.**

THE PARTS SHOWN MAY BE REPRESENTATIVE ONLY (FOR CLARITY OF INSTRUCTIONS ONLY)

Please note that in cases where kits are packed with rubber washers holding the components onto the bolt – *the rubber washers should be thrown away!*





### **TOOLS REQUIRED**

- 3mm A/F Allen key.

### **FITTING INSTRUCTIONS**

- Take the aluminium base plate and fit to the base of the side stand from underneath.
- Offer the clamp plate around the side stand leg and position above the aluminium base plate, with the countersinks facing upwards.
- Apply a small amount (one drop) of Loctite Blue 242 to the end of the threaded area of each screw.
- Fit the three M5 bolts clamping the two plates together and securely mount onto the side stand foot.
- Tighten all bolts evenly and check to ensure the side stand pad clears the chain when in the raised position.
- *If fitting to older stands that have been worn the padding strip should be placed in the base plate to ensure a tighter fit.*

ISSUE 1 03/02/2017 (NSY)

#### **CONSUMER NOTICE**

The catalogue description and any exhibition of samples are only broad indications of the Products and R&G may make design changes which do not diminish their performance or visual appeal and supplying them in such state shall conform to the order. The Buyer acknowledges no representation or warranty (other than as to title) has been given or will apply to the Products other than those in R&G's order or confirmation and the Buyer confirms it has chosen the Products as being of merchantable quality and suitable for its particular purposes. Where R&G fits the Products or undertakes other services it shall exercise reasonable skill and care and rectify any fault free of charge unless the workmanship has been disturbed. The Buyer is responsible for ensuring that the warranty on the motorcycle is not affected by the fitting of the Products. On return of any defective Products R&G shall at its option either supply a replacement or refund the purchase money but shall not be liable if the Products have been modified or used or maintained otherwise than in accordance with R&G's or manufacturer's instructions and good engineering practice or if the defect arises from accident or neglect. Other than identified above and subject to R&G not limiting its liability for causing death and personal injury, it shall not be liable for indirect or consequential loss and otherwise its liability shall be limited to the amounts paid by the Buyer for the Products or the fitting or service concerned. These terms do not affect the Buyer's statutory rights.

#### **R&G RACING RETURNS POLICY (NON-FAULTY GOODS)**

Returns must be pre-authorized (if not pre-authorized the return will be rejected). Goods may only be returned direct to us if they were purchased direct from us (customer must prove if necessary). Otherwise to be returned to original vendor. Goods must be in re-sellable condition, in the opinion of R&G Racing. All returns are subject to a 25% restocking and handling fee (25% of the gross value exc. P&P – at the prevailing price at time of purchase). The customer must pay any and all carriage charges. No returns of discontinued products, unless within 14 days of purchase. This policy does not affect your statutory rights and does not refer to faulty goods.

R&G Racing

Unit 1, Shelley's Lane, East Worldham, Alton, Hampshire, GU34 3AQ

Tel: +44 (0)1420 89007 Fax: +44 (0)1420 87301 [www.rg-racing.com](http://www.rg-racing.com) Email: [info@rg-racing.com](mailto:info@rg-racing.com)



**NOTICE DE MONTAGE POUR PKS0097SI SUPPORT DE BEQUILLE**  
**HONDA NC 750X 2016-**

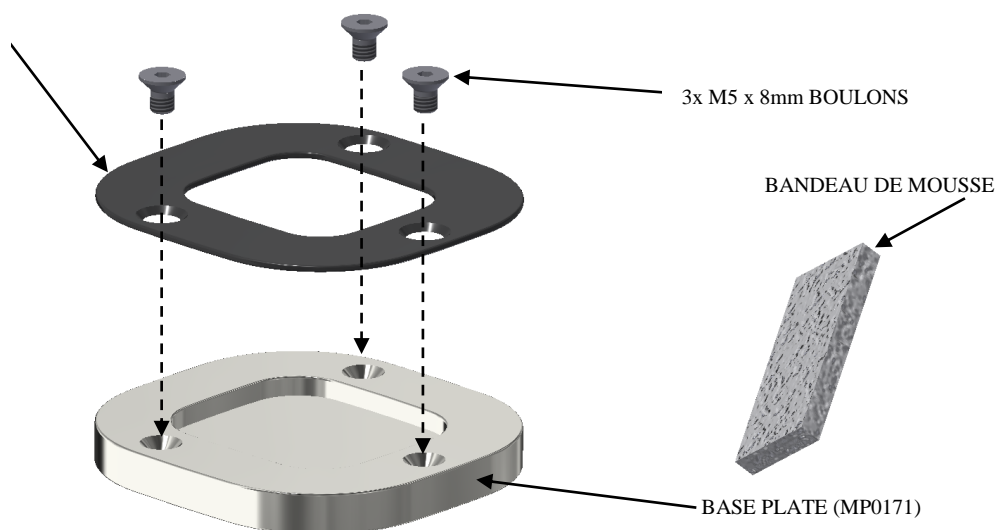


**La façon dont le kit est emballé ne correspond pas forcément à la façon de monter les pièces sur la moto.**

Les pièces présentées peuvent N'ETRE QUE REPRESENTATIVES (afin de faciliter et clarifier les instructions de montage).

NOTEZ QUE SI LES KITS SONT EMBALLEES AVEC DES RONDELLES EN CAOUTCHOUC SERVANT A TENIR LES COMPOSANTS, CES RONDELLES DOIVENT ETRE JETTES !

ATTACHE PLATE (PLATE 0199)



R&G Racing  
Unit 1, Shelley's Lane, East Worldham, Alton, Hampshire, GU34 3AQ  
Tel: +44 (0)1420 89007 Fax: +44 (0)1420 87301 [www.rg-racing.com](http://www.rg-racing.com) Email: [info@rg-racing.com](mailto:info@rg-racing.com)



#### **Outils requis**

- Clé Allen 3mm

#### **Notice de montage:**

- Prendre la base plate usinée et placez là à la base de la béquille par dessous.
- Mettre l'attache plate autour de la béquille latérale et positionnez là au dessus de la base plate en aluminium avec les contre alésages vers le haut.
- Appliquer un peu de colle Loctite Bleu 242 sur l'extrémité du filetage de chaque vis.
- Insérer les 3 boulons M5 pour fixer la position et fixer le tout sur la béquille latérale.
- Serrer tous les boulons de façon égale et assurez vous que le support de béquille soit espacé de la chaîne lorsqu'elle est dans la position relevée.
- Si l'installation se fait sur une béquille ancienne assez usée, la bande de rembourrage doit être placée dans la base plate afin d'assurer un ajustement plus serré.

ISSUE 1 03/02/2017 (NSY)

#### **CONSUMER NOTICE**

The catalogue description and any exhibition of samples are only broad indications of the Products and R&G may make design changes which do not diminish their performance or visual appeal and supplying them in such state shall conform to the order. The Buyer acknowledges no representation or warranty (other than as to title) has been given or will apply to the Products other than those in R&G's order or confirmation and the Buyer confirms it has chosen the Products as being of merchantable quality and suitable for its particular purposes. Where R&G fits the Products or undertakes other services it shall exercise reasonable skill and care and rectify any fault free of charge unless the workmanship has been disturbed. The Buyer is responsible for ensuring that the warranty on the motorcycle is not affected by the fitting of the Products. On return of any defective Products R&G shall at its option either supply a replacement or refund the purchase money but shall not be liable if the Products have been modified or used or maintained otherwise than in accordance with R&G's or manufacturer's instructions and good engineering practice or if the defect arises from accident or neglect. Other than identified above and subject to R&G not limiting its liability for causing death and personal injury, it shall not be liable for indirect or consequential loss and otherwise its liability shall be limited to the amounts paid by the Buyer for the Products or the fitting or service concerned. These terms do not affect the Buyer's statutory rights.

#### **R&G RACING RETURNS POLICY (NON-FAULTY GOODS)**

Returns must be pre-authorized (if not pre-authorized the return will be rejected). Goods may only be returned direct to us if they were purchased direct from us (customer must prove if necessary). Otherwise to be returned to original vendor. Goods must be in re-sellable condition, in the opinion of R&G Racing. All returns are subject to a 25% restocking and handling fee (25% of the gross value exc. P&P – at the prevailing price at time of purchase). The customer must pay any and all carriage charges. No returns of discontinued products, unless within 14 days of purchase. This policy does not affect your statutory rights and does not refer to faulty goods.

R&G Racing

Unit 1, Shelley's Lane, East Worldham, Alton, Hampshire, GU34 3AQ

Tel: +44 (0)1420 89007 Fax: +44 (0)1420 87301 [www.rg-racing.com](http://www.rg-racing.com) Email: [info@rg-racing.com](mailto:info@rg-racing.com)